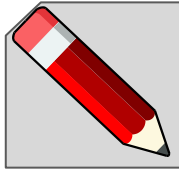


pl

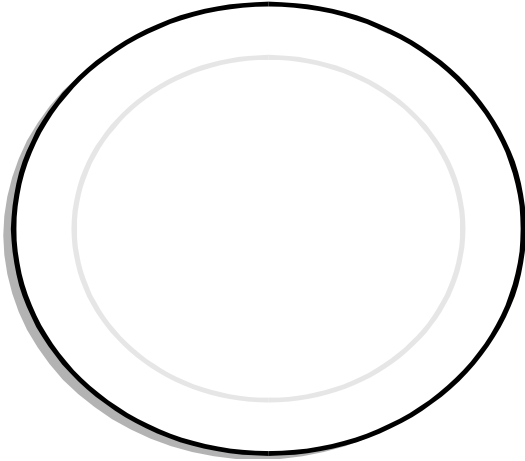
Name: _____

Class: _____

Date: _____



Colour the picture. Write the word in the spaces provided. Say the name of the pictures.



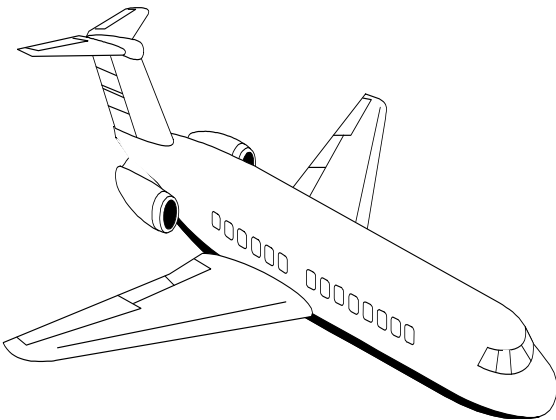
p
l
a
e
t

■ ■ ■ ■ ■



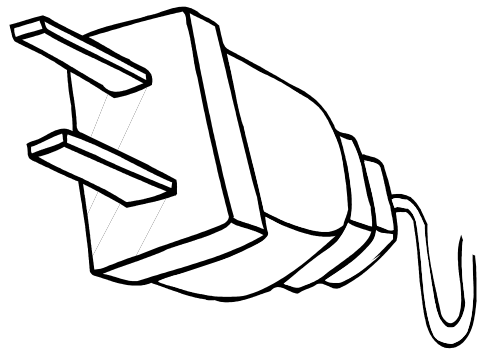
p
l
n
a
t

■ ■ ■ ■ ■



a
l
p
e
n

■ ■ ■ ■ ■



u
p
l
g

■ ■ ■ ■ ■